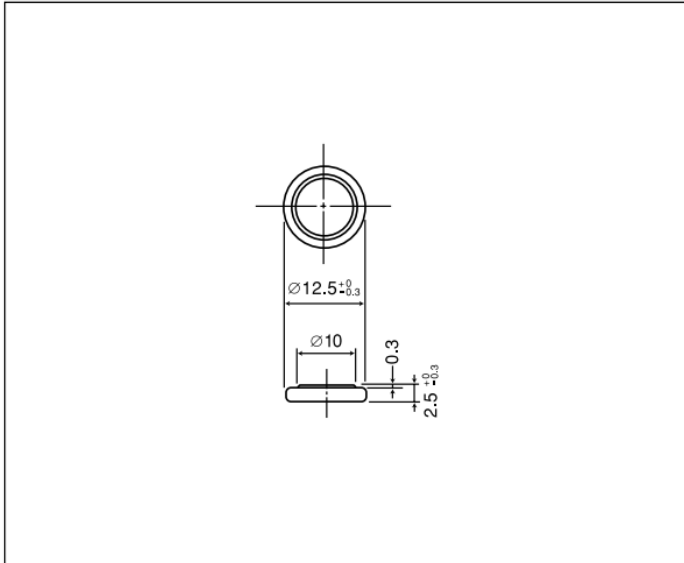


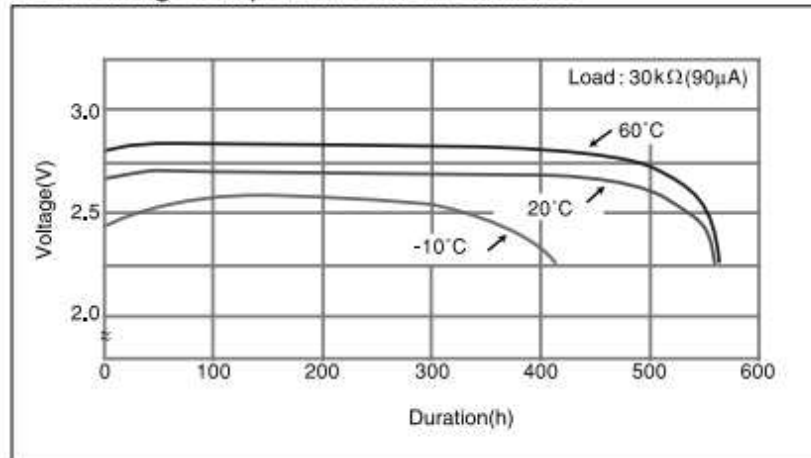
■ Dimensions(mm)



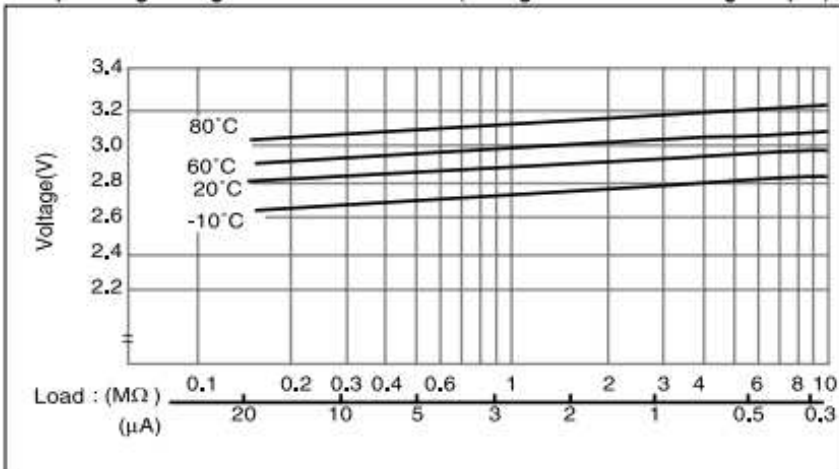
■ Specification

<b>Nominal voltage(V)</b>	3
<b>Nominal capacity(mAh)</b>	48
<b>Continuous drain(mA)</b>	0.03
<b>Operating temperature(°C)</b>	-30 to +80

■ Discharge temperature characteristics



■ Operating voltage vs. load resistance(voltage at 50% discharge depth)



■ Capacity vs. load resistance

